

QSFP Transceivers M40-V85-QP-SR4-XX-D

The M40-V85-QP-SR4-XX-D is designed to operate over multi-mode fiber system using 4x10G channels in 850 nm. They are compliant with the QSFP+ MSA and IEEE 802.3ba 40GBASE-SR4. The optical transmitter portion of the transceiver incorporates a 4-channel VCSEL (Vertical Cavity Surface Emitting Laser) array, a 4-channel input buffer and laser driver, diagnostic monitors, control and bias blocks. For module control, the control interface incorporates a Two Wire Serial interface of clock and data signals.



Features

- High Channel Capacity: 40 Gbps per module
- Up to 11.1Gbps Data rate per channel
- Maximum link length of 100m links on OM3
- Maximum link length of 150m links on OM4
- High Reliability 850nm VCSEL technology
- Electrically hot-pluggable
- Digital diagnostic SFF-8436 compliant
- Case operating temperature range: 0 °C to 70 °C
- Power dissipation < 1.5 W

Application

- 40G Ethernet
- Infiniband QDR
- Fiber channel

	Unit	02	03
Optical Wavelength (min – center -max)	nm	840 – 850 – 860	
Average output power per line (min / max)	dBm	-7.6 / 0.5	- 7.6 / 1
Average launch power off per line	dBm	-30	-30
Output Eye Mask		Compliant with IEEE802.3ba	
Optical Extinction ratio	dB	3	3
Receiver sensitivity per lane	dBm	-9.5	-9.9
Overload	dBm	-2.4	-2.4
Maximum distance	m	100 - 150	100 - 400
Fiber type	-	MMF	MMF
Optical link budget	dBm	1.9	2.3

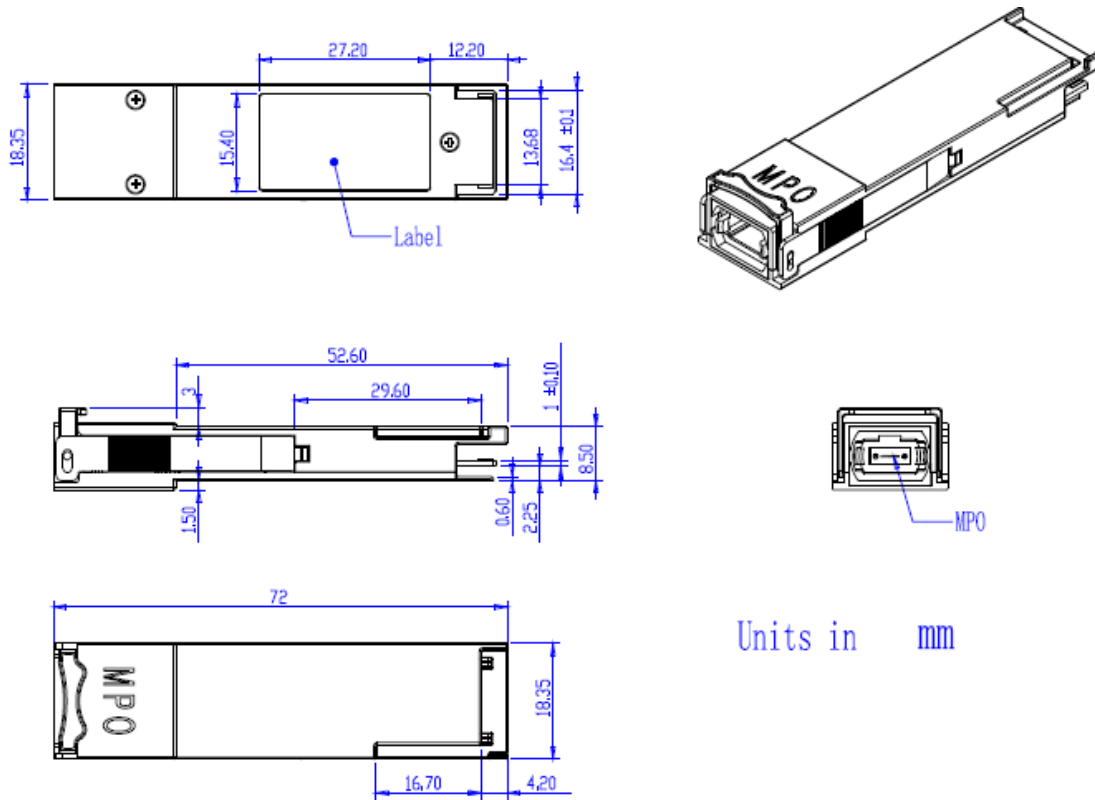
Safety and regulatory compliance and standards:

- Compliant to SFF-8436
- Compliant to 802.3ba
- RoHS Compliant

Distance

Order code	OM3	OM4
M40-V85-QP-SR4-02-D	100 m	150 m
M40-V85-QP-SR4-03-D	300 m	400 m

Dimension:



Digital Diagnostics Functions

OPTOKON transceivers support the 2-wire serial communication protocol as defined in the QSFP+ MSA, which allows real-time access to the following operating parameters:

- Transceiver temperature
- Laser bias current
- Transmitted optical power
- Received optical power
- Transceiver supply voltage

Ordering code:

Name	Description
M40-V85-QP-SR4-02-D-XX	40 Gbps SM, QSFP: 4x 850 nm distance: OM3 100 m, OM4 150 m, operational temperature 0 °C to +70 °C
M40-V85-QP-SR4-03-D-XX	40 Gbps SM, QSFP: 4x 850 nm distance: OM3 300 m, OM4 400 m, operational temperature 0 °C to +70 °C